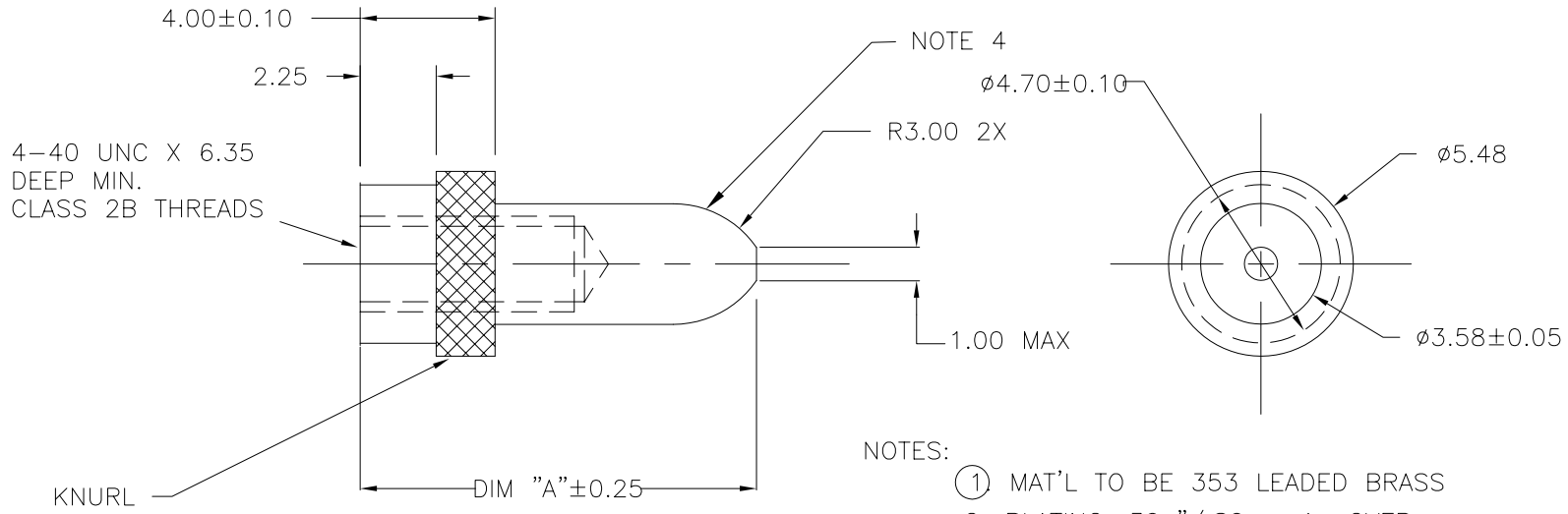


PART NUMBER	SPECIAL PACKAGING (5)	DIM "A"
63786-001	----	11.50
63786-002	63786-002SP	32.00
63786-004	----	14.50
63786-005	----	16.00
63786-006	63786-006SP	24.00
63786-007	----	28.90
63786-008	----	13.00



- NOTES:
- (1) MAT'L TO BE 353 LEADED BRASS
  2. PLATING: 30u"/.80um Au OVER  
50u"/1.30um Ni
  3. UNSPECIFIED ANGLES 45°
  - (4) R3mm IS TANGENT TO Ø3.60mm SURFACE.
  - (5) SP = SPECIAL PACKAGING @ 10 PCS PER PACKAGE

mat'l. code		surface		tolerance		projection		product family		
NOTE 1		ISO 1302 ✓		ISO 406 ISO 1101		MM		METRAL (tm)		
ltr	ecp	no	dr	date	tolerances unless otherwise specified		title			
A	V94312	MDF	11/4/98	11/4/98	angles	linear	POWER PIN, ROUND TIP			
B	V94406	HTB	12/1/99	12/1/99			MODULE, 5 ROW			
C	V00746	LSS	3/7/00	0'±2'			scale 5:1			
D	V12292	CGD	10/04/01	dr	C.DAILY	6/10/02	dwg no			
E	V21013	CGD	06/10/02	enr	M.GRAY	6/10/02	sheet 1 of 1 size			
F	V05-0666	TAB	07/15/05	chr	M.GRAY	6/10/02	63786 A3			
G	M06-0277	MHT	7/22/06	appd	M.GRAY	6/10/02	type Product Customer Drawing			
sheet	revision	G								
index	sheet	1								

Copyright FCI  
 FCIconnect.com